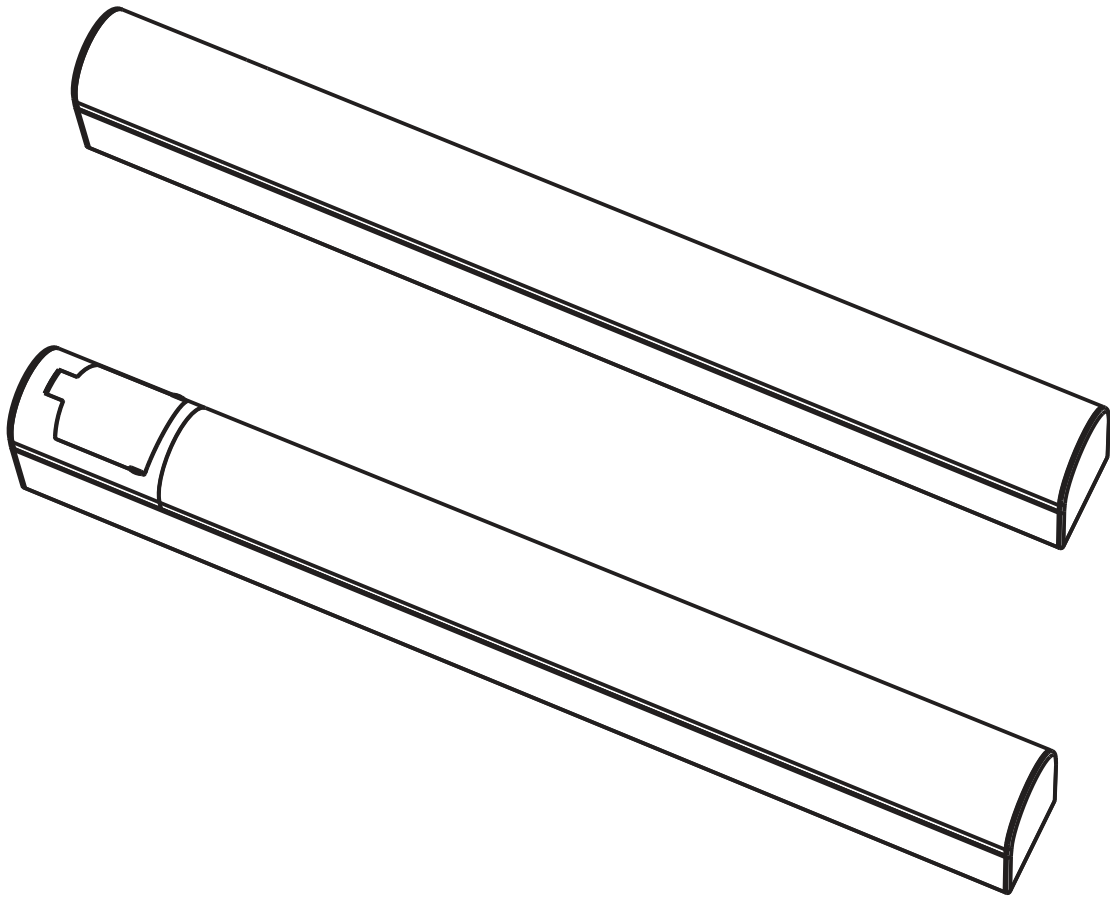


solar|light

# OPERATING INSTRUCTION

LED BATHROOM LIGHTING



## SABRINA LED

IP44

CE

✓RoHS  
2011/65/EU

## APPLICATION

- House
- Bathroom

## MAIN TECHNICAL DATA

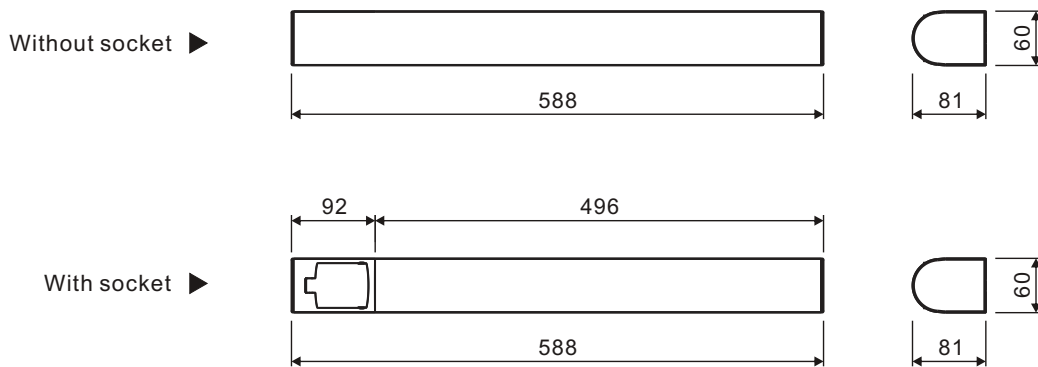
Input: AC 220-240V 50/60Hz

Light source: LED SMD2835

Working temperature: -10°C -- +50°C

## CAUTION

1. The product must be installed by professional technicians and power supply must be cut off before installation.
2. The installation wiring must be 3x 1.0mm<sup>2</sup> at least and wired in accordance with the latest IEE electrical regulations or the national requirements.(Recommend type of cable is H03VV-F)
3. Don't touch LED while installing or maintaining.
4. Socket max. wattage 3600W

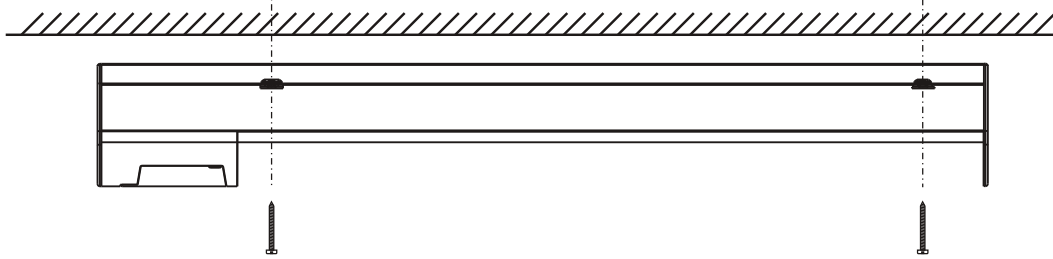
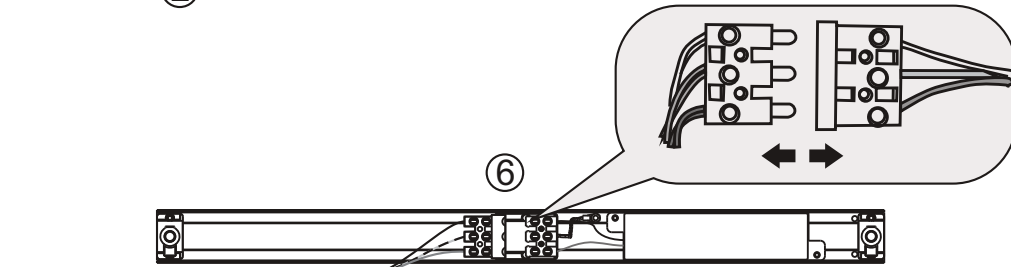
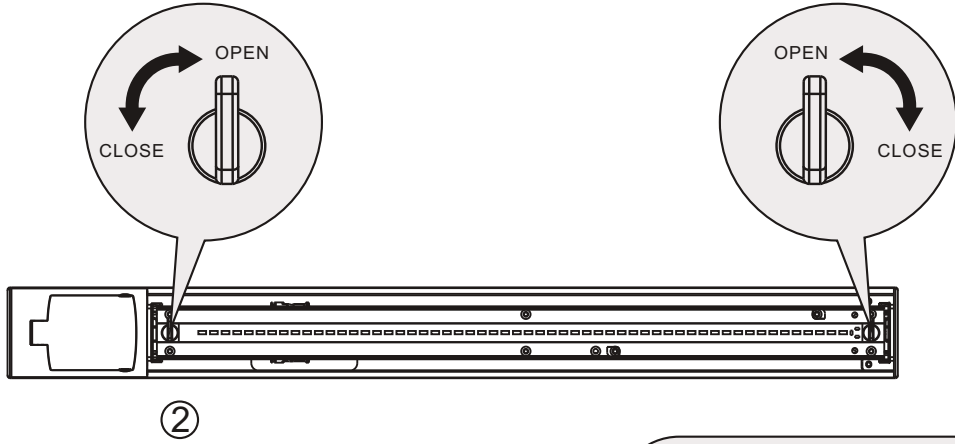
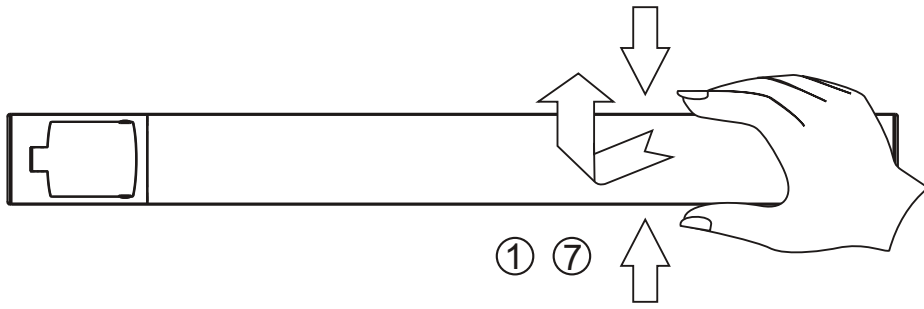


## TECHNICAL INFORMATION

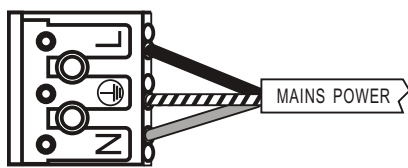
Code	Input Voltage	Input Power	LED Type	LED Qty	Lumen	Length
SABRINA LED	220-240V~ 50/60Hz	11.5 W	SMD2835	65	1550 Lm	588 mm

## MOUNTING

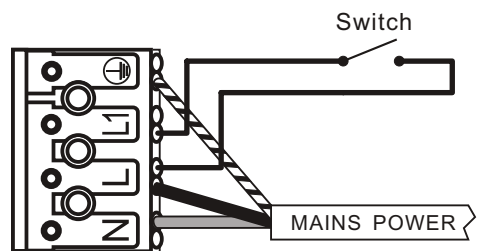
1. Disassemble the diffuser .
2. Remove the LED panel,make sure it is not destroyed .
3. Pull in the power cord through the gasket.
4. Fix the base on the surface with screws .
5. Connect the power cord on the terminal correctly.
6. Connect the male-female terminals ,assemble the LED panel firmly.
7. Assemble the diffuser.



⑤ Cable connection




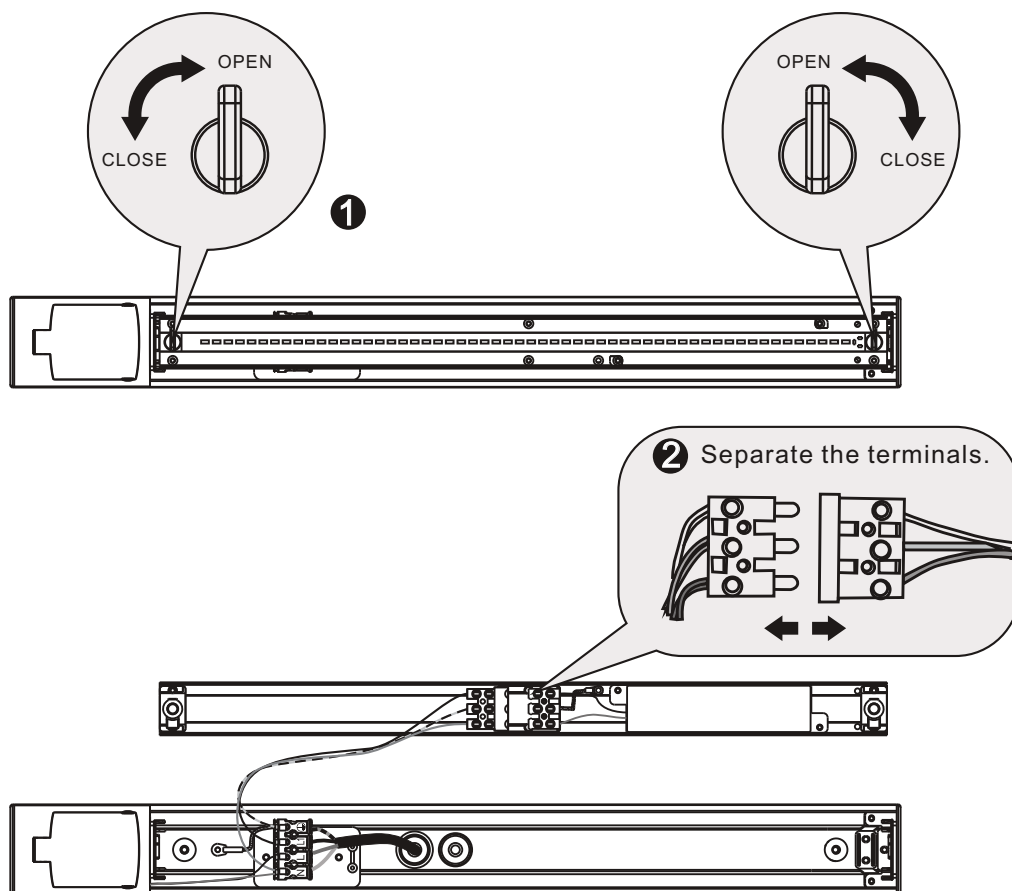
Without socket



With socket

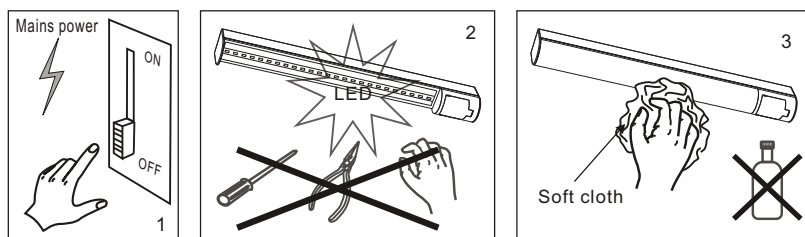
## LIGHTING ENGINE REPLACING

 Cut off the mains power first .



## MAINTENANCE

1. Cut off the mains power first.
2. Don't touch LED while maintaining or cleaning.
3. Don't use chemical reagent to clean lamp.



Environmental protection: Waste electrical products should not be disposed of with household waste. Please recycle where facilities exist. Check with your local authority or retailer for recycling advice.

